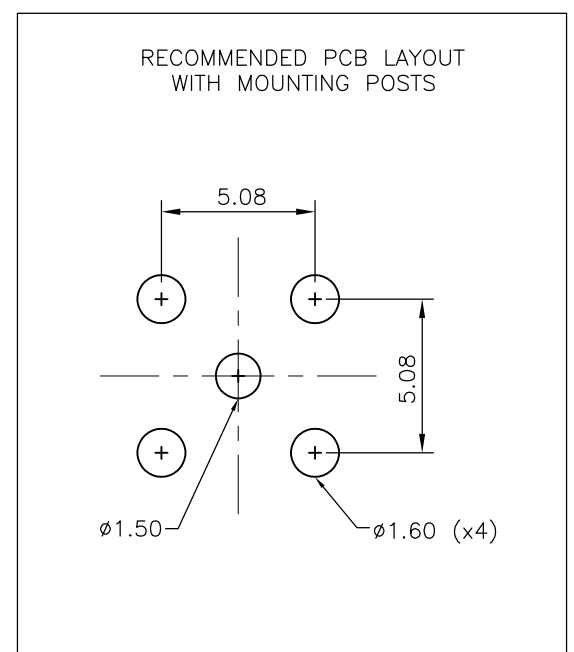
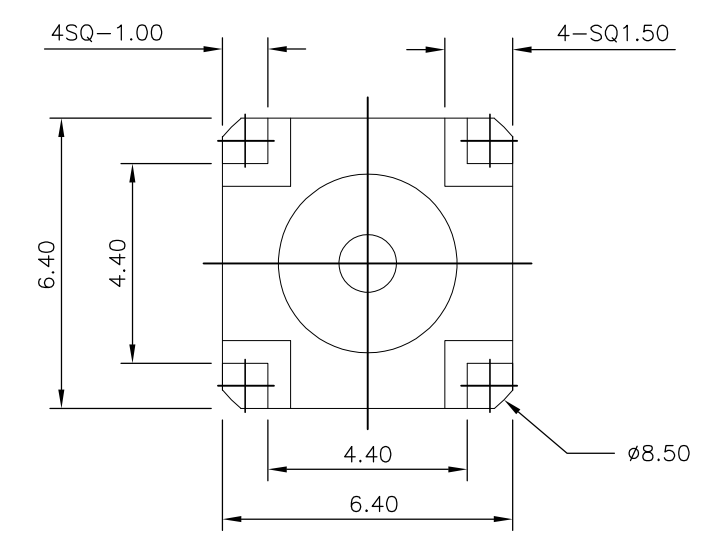
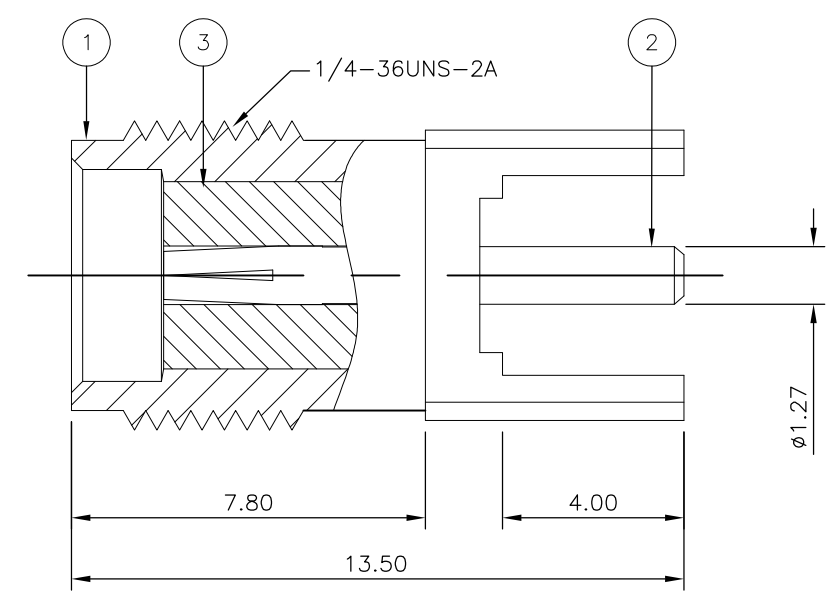


THIS DRAWING IS UNPUBLISHED. RELEASED FOR PUBLICATION JULY, 2006.  
 © COPYRIGHT 2006 By - ALL RIGHTS RESERVED.

LOC	DIST	REVISIONS			
P	LTR	DESCRIPTION	DATE	DWN	APVD
E	B	B1	REVISED PER ECO-11-005033	31MAR11	RK HMR

- NOTES**
- 1 SINGLE PACK IN ACCORDANCE WITH AMP SPEC 107-3275
  - 2 100 TRAY PACK IN ACCORDANCE WITH AMP SPEC 107-3275
  - 3 Au PLATING



QTY	PLC	DESCRIPTION	ITEM
1	1	PTFE	INSULATOR 3
1	1	PHOSPHER BRONZE	SOCKET 2
1	1	ZINC ALLOY	BODY 1
5	15	MATERIAL	DESCRIPTION ITEM

THIS DRAWING IS A CONTROLLED DOCUMENT.		DWN ANSON MA 19FEB09	<b>STE</b> TE Connectivity	
DIMENSIONS: mm		CHK RITA ZUO 19FEB09		
TOLERANCES UNLESS OTHERWISE SPECIFIED:		APVD BOB ZHAO 19FEB09	NAME	
0 PLC ± -		PRODUCT SPEC	SMA STRAIGHT PCB SOCKET DIE CAST	
1 PLC ± -		108-112000	-	
2 PLC ± 0.2		APPLICATION SPEC	-	
3 PLC ± -		WEIGHT	SIZE	CAGE CODE
4 PLC ± -		SEE TABLE	A3	00779
ANGLES ± -		FINISH	DRAWING NO	RESTRICTED TO
-		-	C-1814832	-
MATERIAL		CUSTOMER DRAWING	SCALE	SHEET
-		-	NTS	1 OF 1
-		-	REV	B1