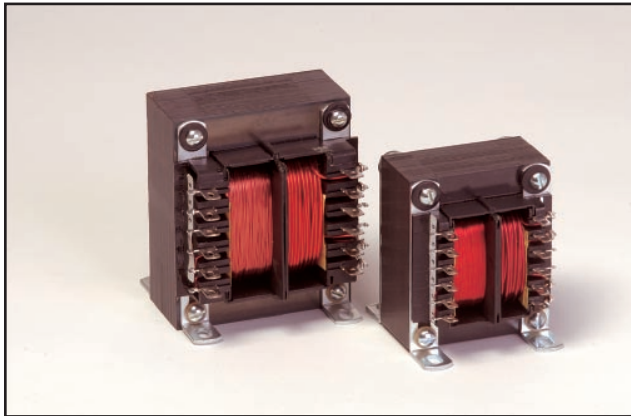


All-4-One™ International Transformers

Chassis Mount



International Standards at Lower Cost and Better Performance



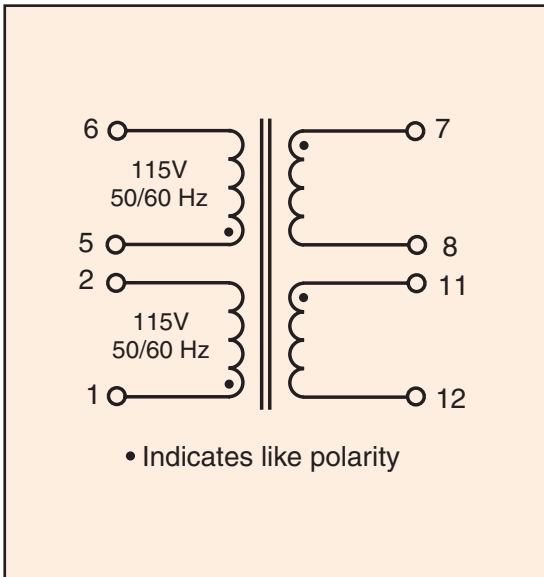
Designed to provide the high isolation, creepage and clearance necessary to comply with international safety standards.

General Specifications

- Power - 25 VA to 175 VA
- Dielectric Strength - 4000 VRMS Hipot
- Primaries - Dual primaries (115/230 V - 50/60 Hz)
- Dual Secondaries - Series or parallel
- Terminals - Solder lug / quick connect type terminals
- Leakage - Current meets UL 60601-1, IEC/EN 60601-1
- Insulation - Class F (155° C)
- Flammability Rating - Bobbin and shroud material meet UL 94-V0

Agency Certifications

- UL 1446 E66312
- UL recognized to UL 506, File # E63829
- CSA certified to C22.2 #66, File # 221070
- VDE certified to VDE 0805 / EN 60950, File # 144



Note: VDE certified A41 Series transformers with standard length and color lead wires are readily available. Contact Customer Service for more information.

Part Number	VA	Secondary RMS Rating	
	Size	Series	Parallel
A41-25-10	25	10.0 VCT @ 2.5A	5.0V @ 5.0A
A41-43-10	43	10.0 VCT @ 4.3A	5.0V @ 8.6A
A41-80-10	80	10.0 VCT @ 8.0A	5.0V @ 16.0A
A41-130-10	130	10.0 VCT @ 13.0A	5.0V @ 26.0A
A41-175-10	175	10.0 VCT @ 17.5A	5.0V @ 35.0A
A41-25-12	25	12.6 VCT @ 2.0A	6.3V @ 4.0A
A41-43-12	43	12.6 VCT @ 3.4A	6.3V @ 6.8A
A41-80-12	80	12.6 VCT @ 6.3A	6.3V @ 12.6A
A41-130-12	130	12.6 VCT @ 10.3A	6.3V @ 20.6A
A41-175-12	175	12.6 VCT @ 14.0A	6.3V @ 28.0A
A41-25-16	25	16.0 VCT @ 1.6A	8.0V @ 3.2A
A41-43-16	43	16.0 VCT @ 2.7A	8.0V @ 5.4A
A41-80-16	80	16.0 VCT @ 5.0A	8.0V @ 10.0A
A41-130-16	130	16.0 VCT @ 8.1A	8.0V @ 16.2A
A41-175-16	175	16.0 VCT @ 11.0A	8.0V @ 22.0A
A41-25-20	25	20.0 VCT @ 1.25A	10 V @ 2.5A
A41-43-20	43	20.0 VCT @ 2.2A	10 V @ 4.4A
A41-80-20	80	20.0 VCT @ 4.0A	10 V @ 8.0A
A41-130-20	130	20.0 VCT @ 6.5A	10 V @ 13.0A
A41-175-20	175	20.0 VCT @ 8.8A	10 V @ 17.6A
A41-25-24	25	24.0 VCT @ 1.0A	12 V @ 2.0A
A41-43-24	43	24.0 VCT @ 1.8A	12 V @ 3.6A
A41-80-24	80	24.0 VCT @ 3.3A	12 V @ 6.6A
A41-130-24	130	24.0 VCT @ 5.4A	12 V @ 10.8A
A41-175-24	175	24.0 VCT @ 7.3A	12 V @ 14.6A
A41-25-28	25	28.0 VCT @ 0.9A	14 V @ 1.86A
A41-43-28	43	28.0 VCT @ 1.5A	14 V @ 3.0A
A41-80-28	80	28.0 VCT @ 2.8A	14 V @ 5.6A
A41-130-28	130	28.0 VCT @ 4.6A	14 V @ 9.2A
A41-175-28	175	28.0 VCT @ 6.25A	14 V @ 12.5A
A41-25-36	25	36.0 VCT @ 0.7A	18 V @ 1.4A
A41-43-36	43	36.0 VCT @ 1.2A	18 V @ 2.4A
A41-80-36	80	36.0 VCT @ 2.2A	18 V @ 4.4A
A41-130-36	130	36.0 VCT @ 3.6A	18 V @ 7.2A
A41-175-36	175	36.0 VCT @ 4.8A	18 V @ 9.6A
A41-25-230	25	230 VCT @ 0.11A	115V @ 0.22A
A41-43-230	43	230 VCT @ 0.19A	115V @ 0.38A
A41-80-230	80	230 VCT @ 0.35A	115V @ 0.7A
A41-130-230	130	230 VCT @ 0.57A	115V @ 1.14A
A41-175-230	175	230 VCT @ 0.76A	115V @ 1.52A

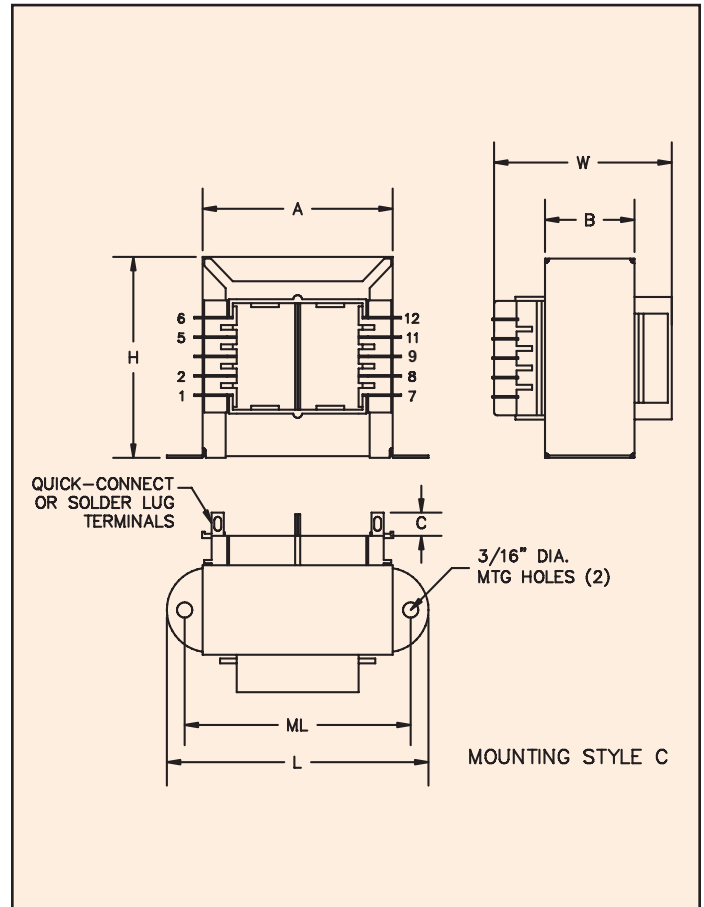
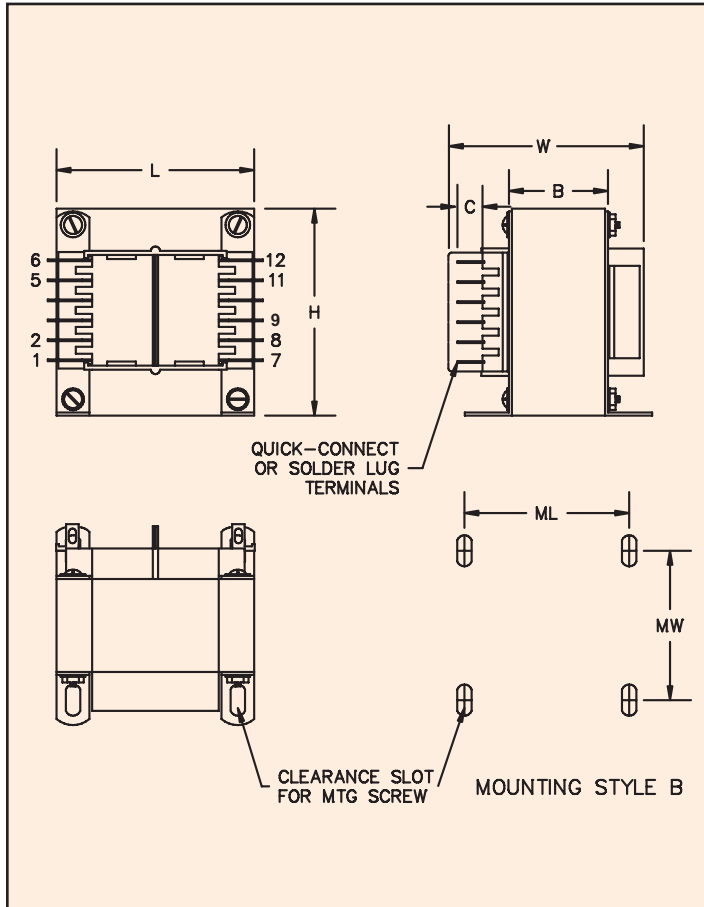
Custom versions available upon request.

©2007 Signal Transformer Inc. Specifications subject to change without notice. 02.07

All-4-One™ International Transformers

Chassis Mount

International Standards at Lower Cost and Better Performance



VA	Dimensions						Terminals	Mounting Style	Mounting Dimensions		Mounting Screw	Weight
	L	W	H	A	B	C			ML	MW		
Size	Inches (mm)						Inches (mm)					
25	2.81 (71.4)	2.14 (54.4)	2.31 (58.7)	2.00 (50.8)	1.12 (28.6)	.31 (7.9)	.187 (4.75)	C	2.37 (60.3)	-	#6	1.25 lbs (0.57)
43	3.12 (79.4)	2.14 (54.4)	2.68 (68.2)	2.25 (57.2)	1.12 (28.6)	.31 (7.9)	.187 (4.75)	C	2.81 (71.4)	-	#6	1.6 lbs (0.73)
80	2.50 (63.5)	2.52 (64.3)	3.00 (76.2)	-	1.37 (35.0)	.31 (7.9)	.187 (4.75)	B	2.00 (50.8)	2.18 (55.5)	#6	2.8 lbs (1.27)
130	2.81 (71.4)	3.00 (76.2)	3.37 (85.7)	-	1.62 (41.3)	.37 (9.5)	0.25 (6.35)	B	2.25 (57.2)	2.50 (63.5)	#8	4.1 lbs (1.86)
175	3.12 (79.4)	3.14 (79.7)	3.75 (95.3)	-	1.62 (41.3)	.37 (9.5)	0.25 (6.35)	B	2.50 (63.5)	2.50 (63.5)	#8	5.5 lbs (2.49)

Custom versions available upon request.

©2007 Signal Transformer Inc. Specifications subject to change without notice. 02.07