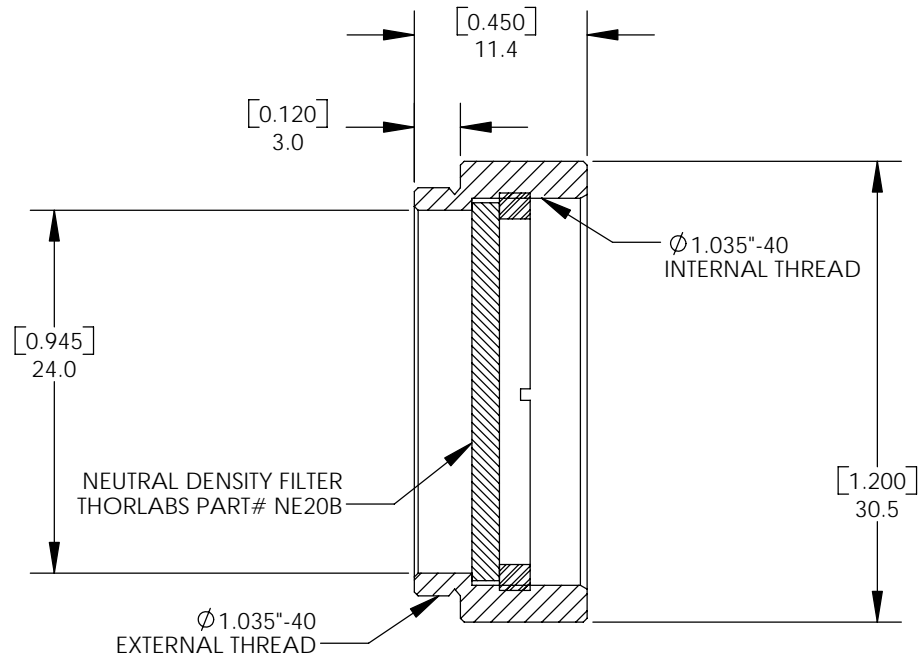


REV. #	DESCRIPTION:	NAME/DATE:



OPTICAL DENSITY	NOMINAL TRANSMISSION
0.1	79%
0.2	63%
0.3	50%
0.4	40%
0.5	32%
0.6	25%
1.0	10%
2.0	1.0%
3.0	0.10%
4.0	0.01%
5.0	0.001%

SPECIFICATIONS:
ABSORPTIVE ND FILTERS

NEUTRAL DENSITY: 2.0 ($D = \log_{10} (1/T)$, or $T = 10^{-D}$)
 DENSITY TOLERANCE: $\pm 5\%$ @546nm
 SUBSTRATE: NG9 (SCHOTT FILTER GLASS)
 DIAMETER: 25mm ± 0.25 mm
 THICKNESS: 1.46mm
 CLEAR APERTURE: 90%
 SURFACE FLATNESS: λ OVER 95%
 SURFACE QUALITY: 40-20 SCRATCH-DIG
 PARALLELISM: 10 arcsec

THIS DRAWING IS FOR INFORMATION ONLY
 NOT INTENDED FOR MANUFACTURING

TOLERANCES		NAME	DATE
UNLESS OTHERWISE SPECIFIED:		DRAWN	BAG 11/20/2006
DIMENSIONS ARE IN MILLIMETERS		ENG APPR.	TO 11/20/2006
LINEAR TOLERANCES:		MFG APPR.	TO 11/20/2006
ONE PLACE DECIMAL: ± 0.2			
TWO PLACE DECIMAL: ± 0.04			
ANGULAR: $\pm 30'$			
PROPRIETARY AND CONFIDENTIAL			
THE INFORMATION CONTAINED IN THIS DRAWING IS THE SOLE PROPERTY OF THORLABS, INC. ANY REPRODUCTION IN PART OR AS A WHOLE WITHOUT THE WRITTEN PERMISSION OF THORLABS, INC. IS PROHIBITED.			

THORLABS INC. PO BOX 366
 NEWTON NJ

TITLE: MOUNTED, ABSORPTIVE ND FILTER

MATERIAL: 6061 ALUMINUM SIZE A REV.

SCALE: 2:1 SHEET 1 OF 1

DWG. NO. 5131-E01 PART NO. NE20A