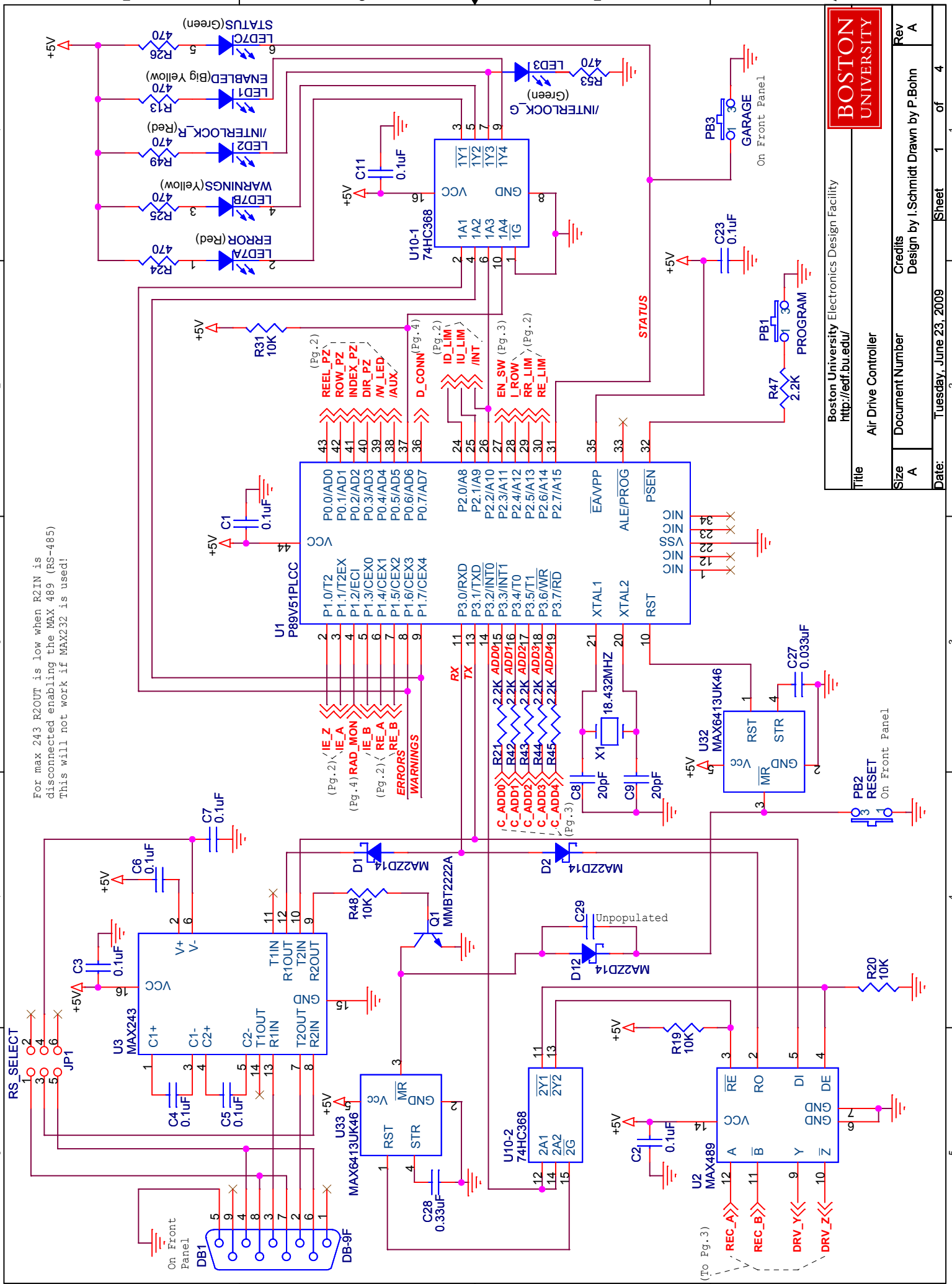
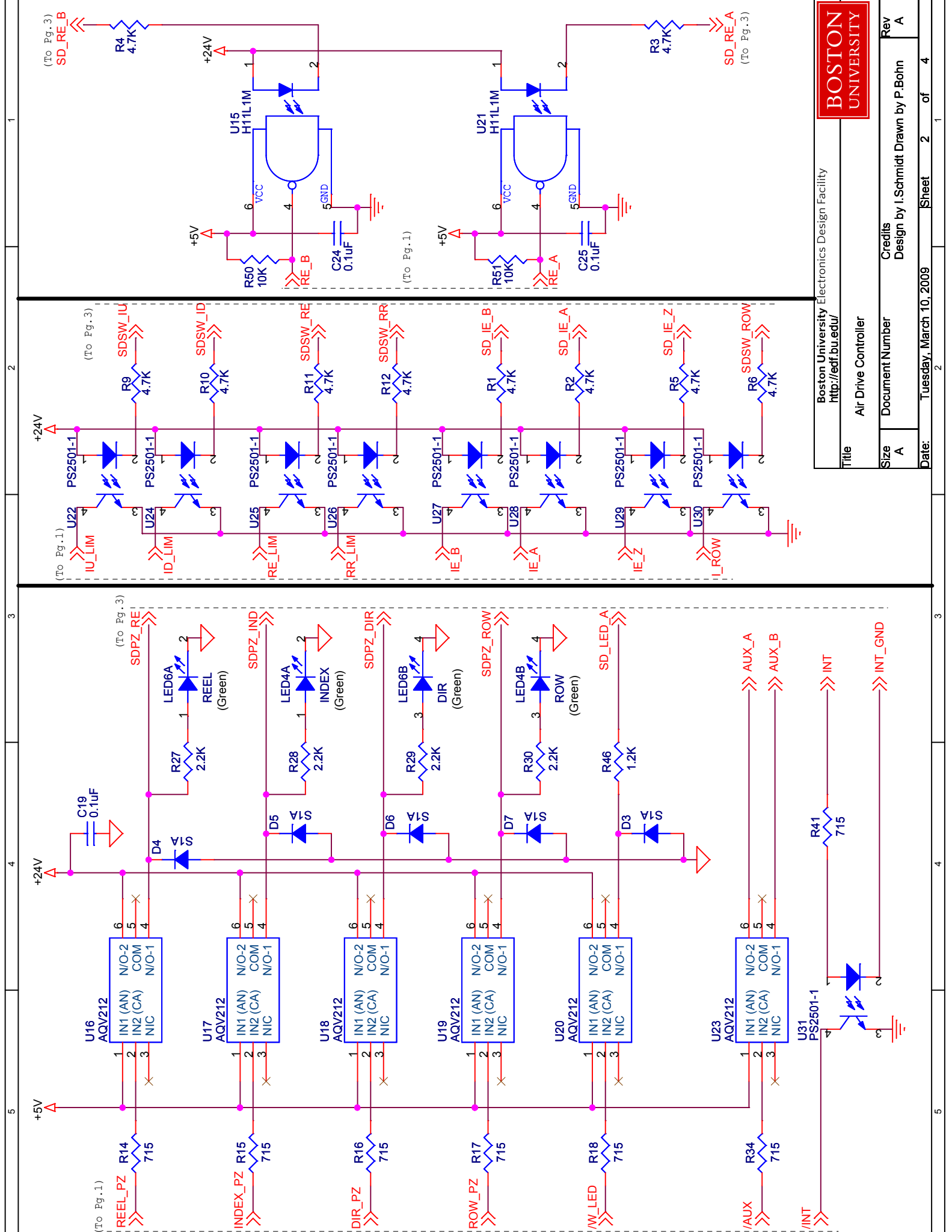


For max 243 R2OUT is low when R2IN is disconnected enabling the MAX 489 (RS-485)
 This will not work if MAX232 is used!



Boston University Electronics Design Facility http://redf.bu.edu/	
Title	Air Drive Controller
Size	Document Number
A	Credits Design by I. Schmidt Drawn by P.Bohn
Date:	Tuesday, June 23, 2009
Sheet	1 of 4

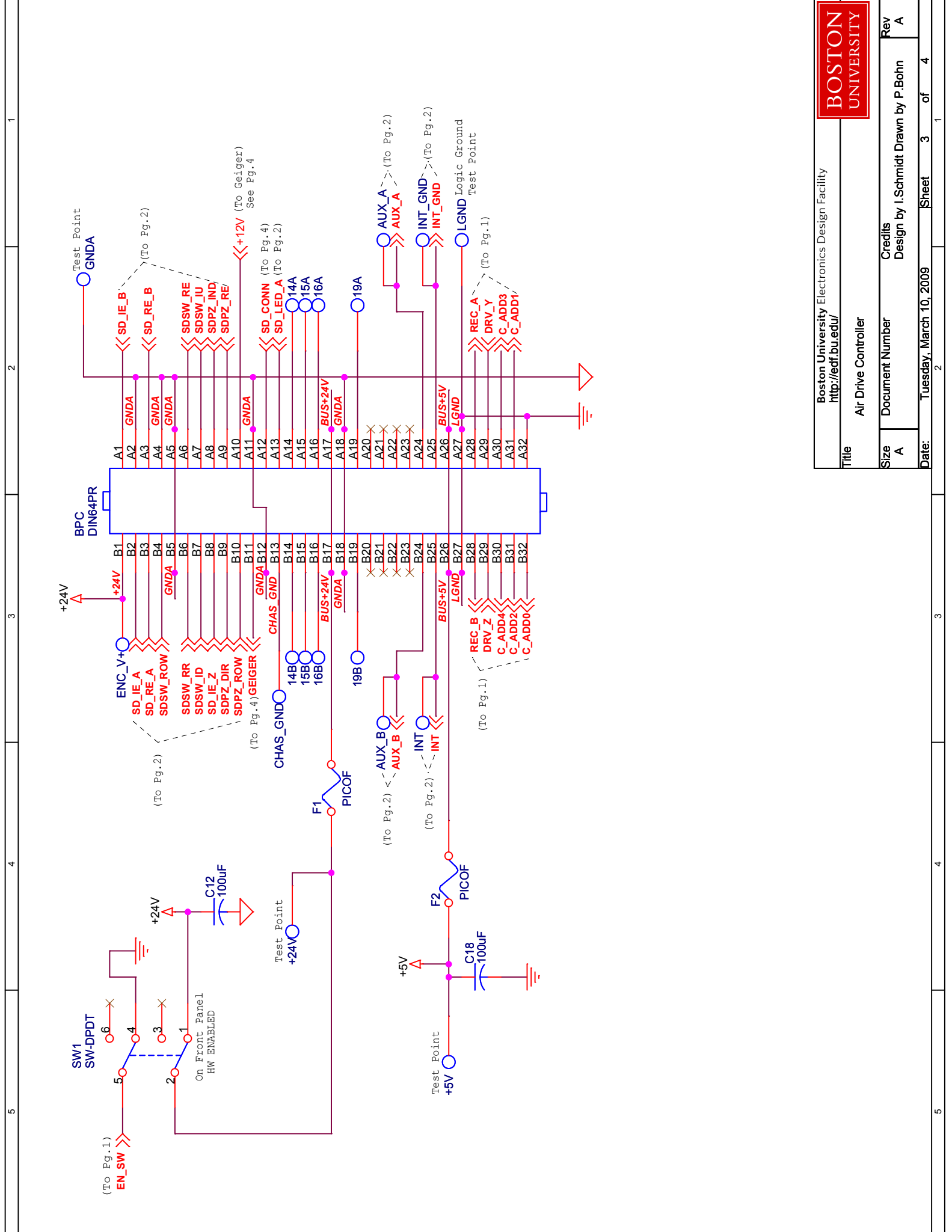
BOSTON UNIVERSITY	
Boston University Electronics Design Facility http://redf.bu.edu/	
Title	Air Drive Controller
Size	Document Number
A	Credits Design by I. Schmidt Drawn by P.Bohn
Date:	Tuesday, June 23, 2009
Sheet	1 of 4



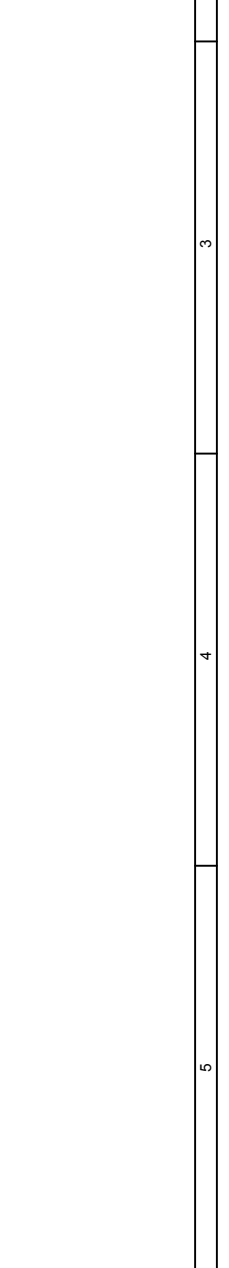
Title		Boston University Electronics Design Facility	
Size		A	
Document Number		Credits	
Date:		Design by I. Schmidt Drawn by P.Bohn	
Sheet		2 of 4	

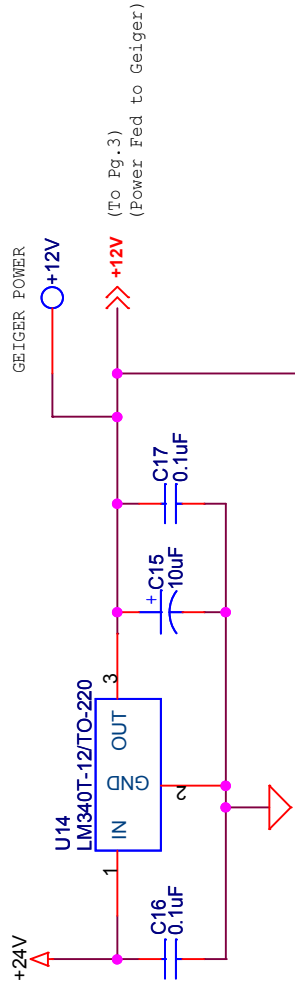
BOSTON UNIVERSITY

Boston University Electronics Design Facility
<http://redf.bu.edu/>

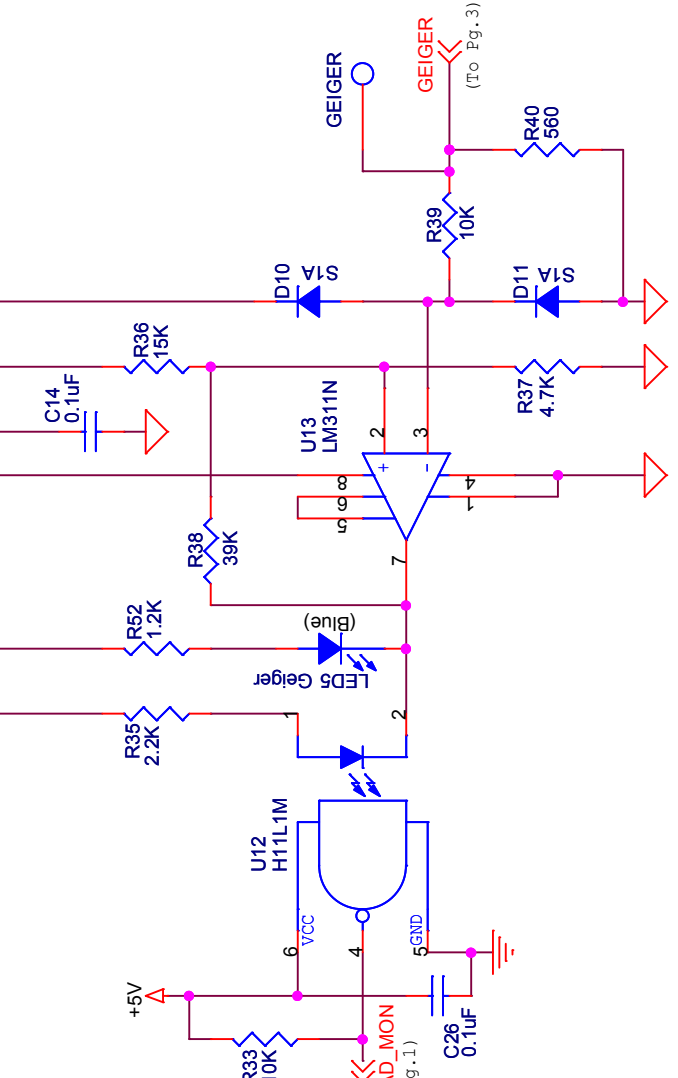
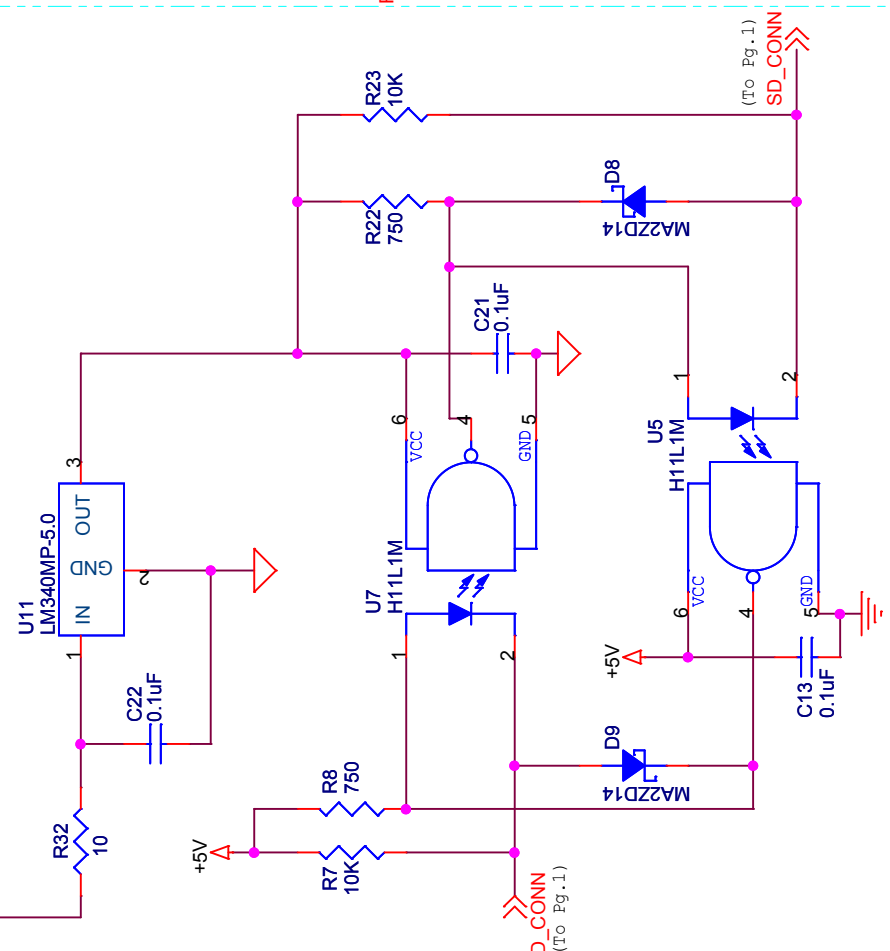


Boston University Electronics Design Facility		http://edf.bu.edu/	
Title Air Drive Controller			
Size A	Document Number	Credits Design by I.Schmidt Drawn by P.Bohn	Rev A
Date: Tuesday, March 10, 2009	Sheet 3	of 4	





1-Wire (Driver Connected) Circuit



Boston University Electronics Design Facility
<http://edf.bu.edu/>

Title		Air Drive Controller	
Size	Document Number	Credits	Rev
A		Design by I.Schmidt Drawn by P.Bohn	A
Date:	Saturday, July 12, 2008	Sheet	4 of 4