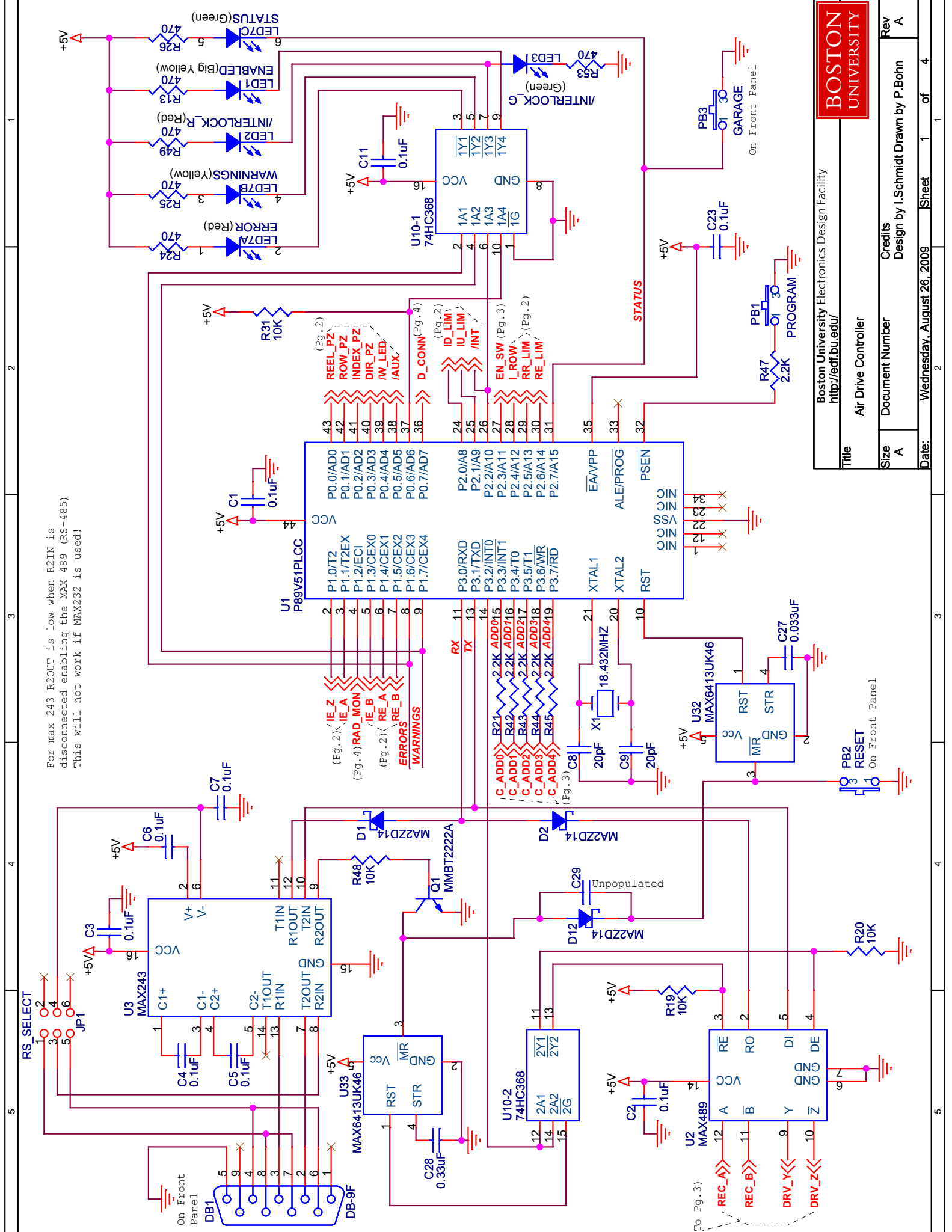


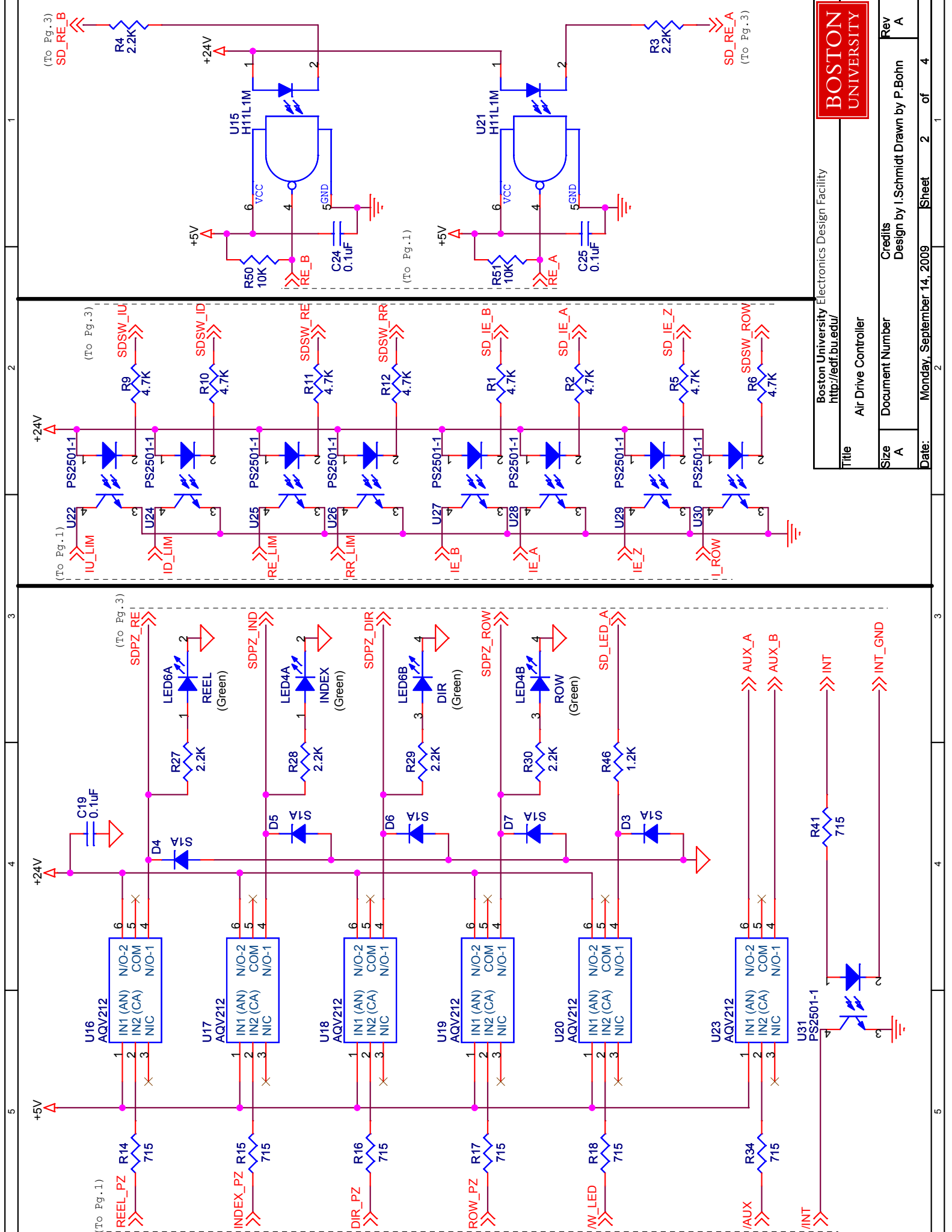
For max 243 R2OUT is low when R2IN is disconnected enabling the MAX 489 (RS-485) This will not work if MAX232 is used!



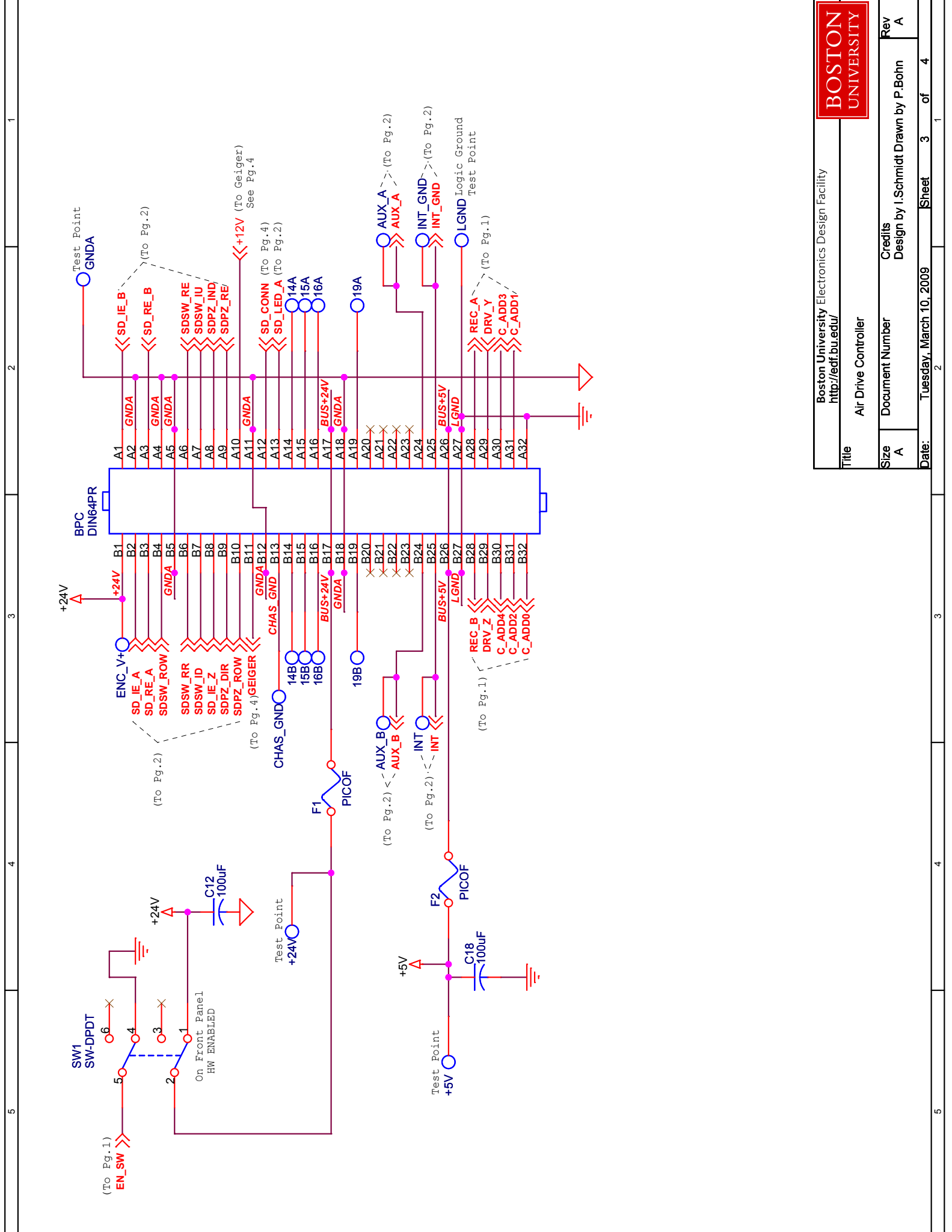
Boston University http://edf.bu.edu/		Boston University Electronics Design Facility	
Title Air Drive Controller		Credits Design by J. Schmidt Drawn by P. Bohn	
Size A	Document Number	Sheet 1	of 4
Date: Wednesday, August 26, 2009	Sheet 1	of 4	Rev A

1 2 3 4 5

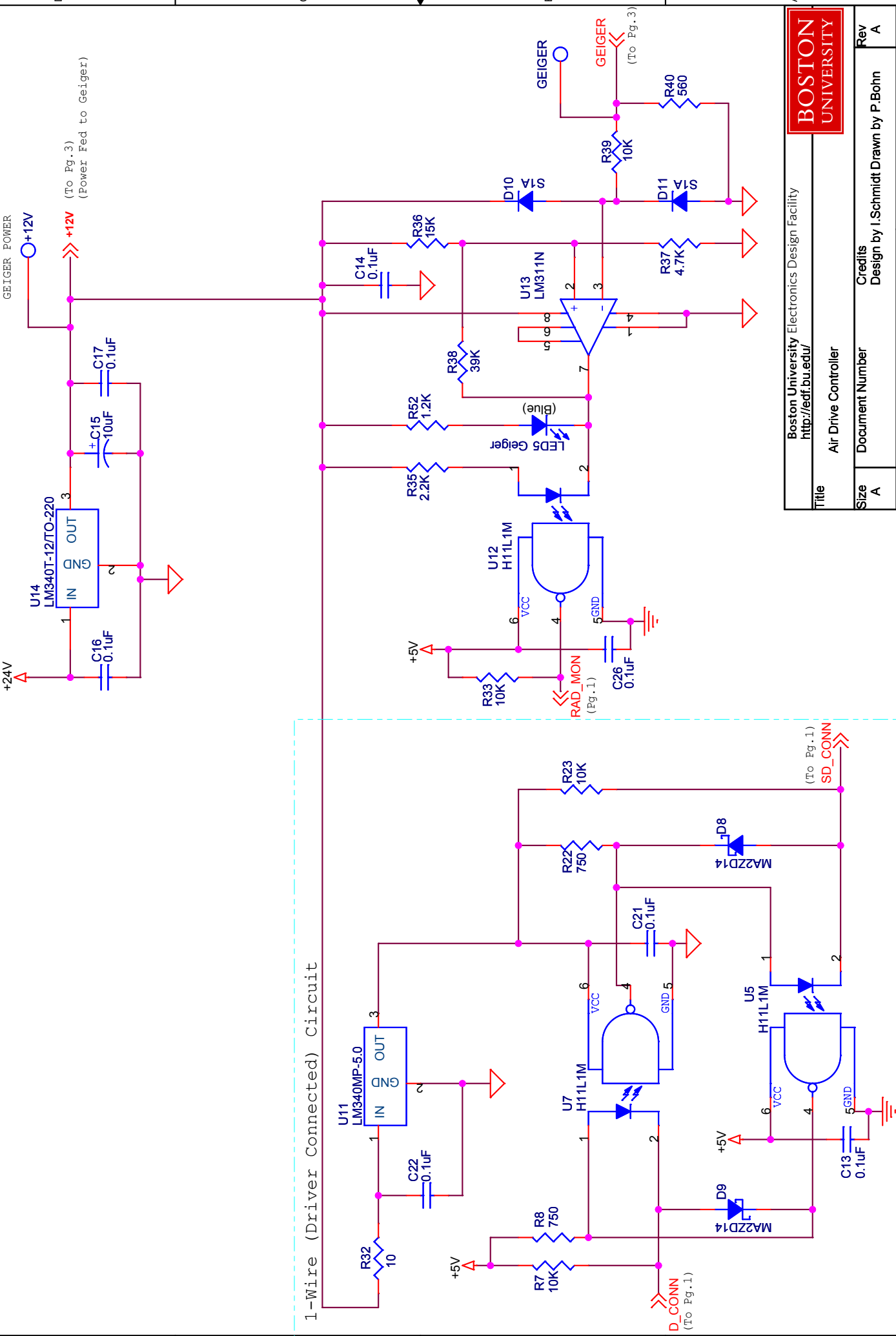
D C B A



Boston University Electronics Design Facility		Boston University	
http://edf.bu.edu/		Rev A	
Air Drive Controller		Credits	
Document Number		Design by J. Schmidt Drawn by P. Bohn	
Size A	Sheet 2	of 4	Rev A
Date: Monday, September 14, 2009	Sheet 2	of 4	Rev A



Boston University Electronics Design Facility		Boston University	
http://edf.bu.edu/			
Title Air Drive Controller			
Size A	Document Number	Credits Design by I.Schmidt Drawn by P.Bohn	Rev A
Date: Tuesday, March 10, 2009	Sheet 3	of 4	



1-Wire (Driver Connected) Circuit

Boston University Electronics Design Facility	
http://edf.bu.edu/	
Title Air Drive Controller	
Size A	Credits Design by J.Schmidt Drawn by P.Bohn
Date: Saturday, July 12, 2008	Rev A
Sheet 4	of 4

