

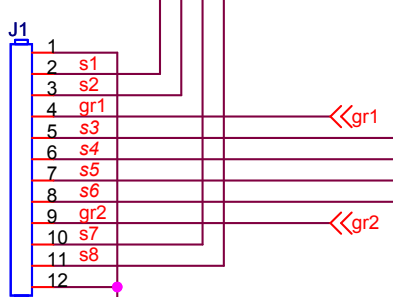
Sensor Connector

A/A/D

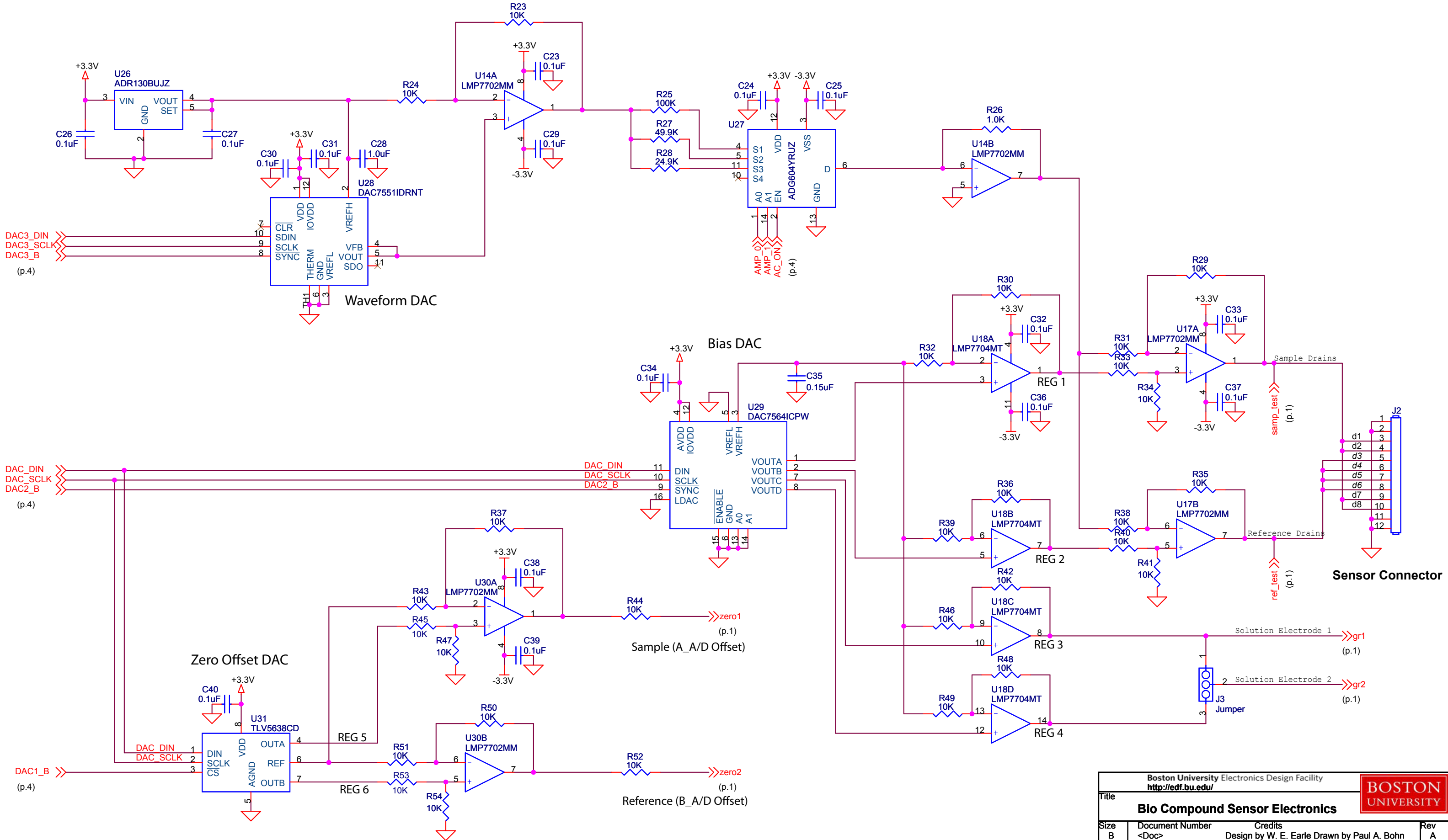
Current Measuring A/D

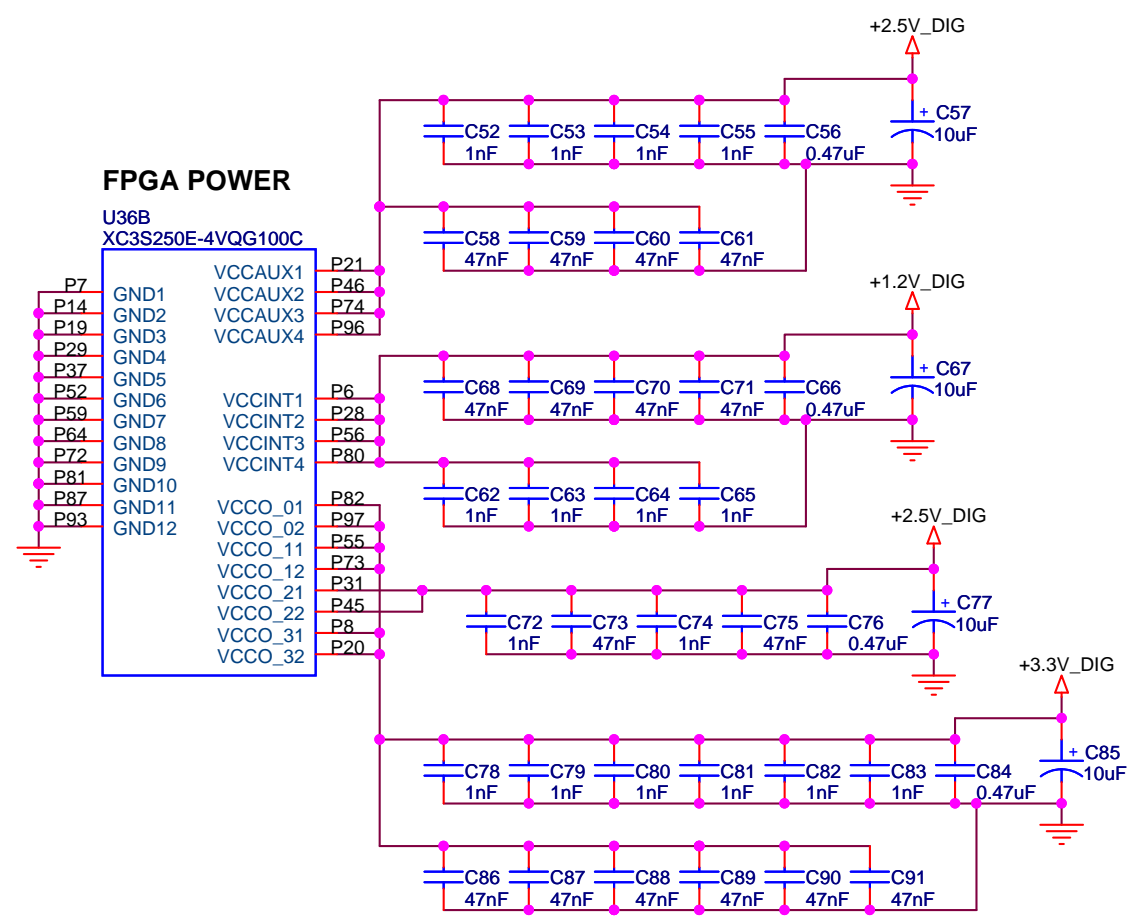
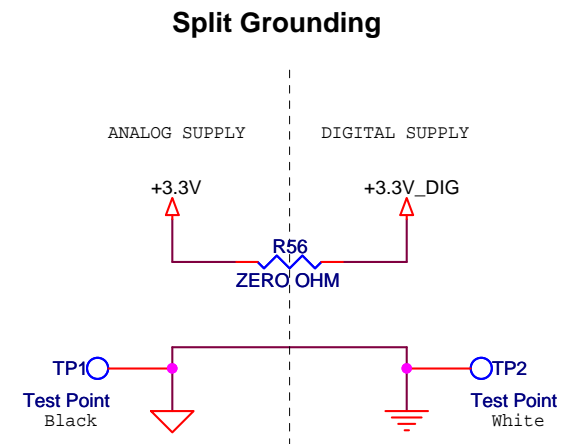
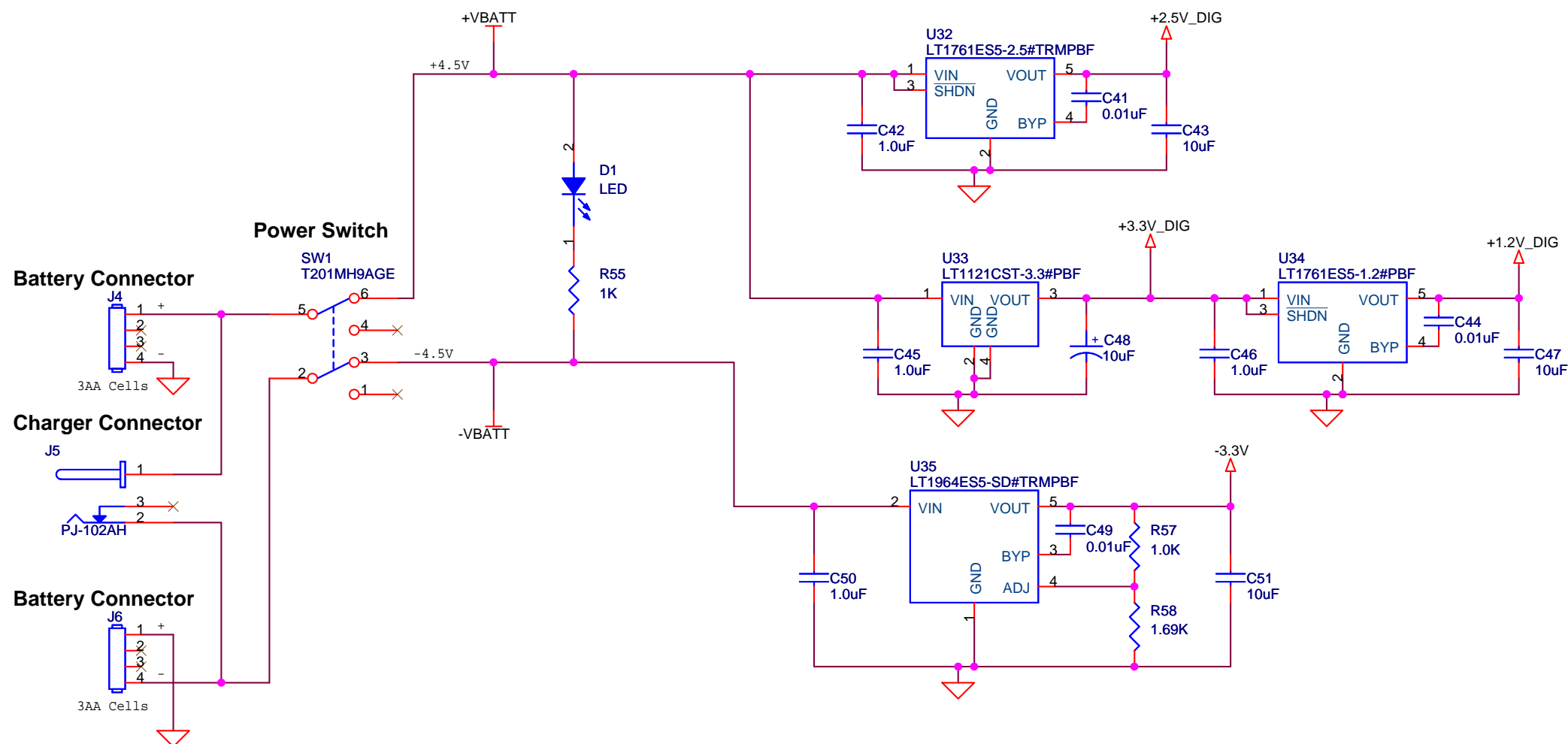
B/A/D

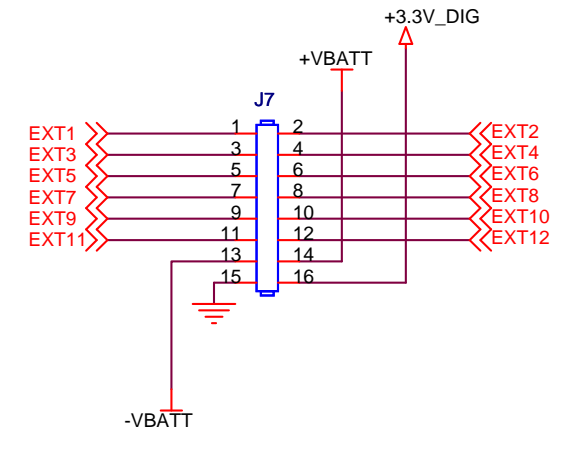
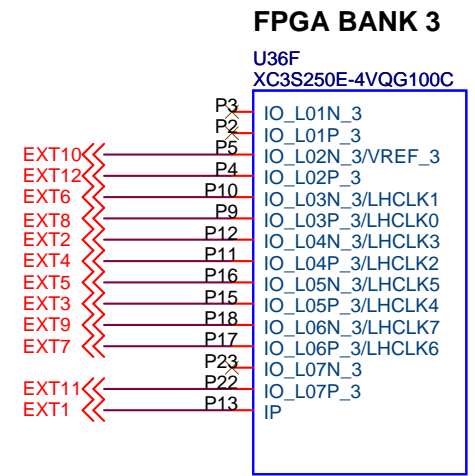
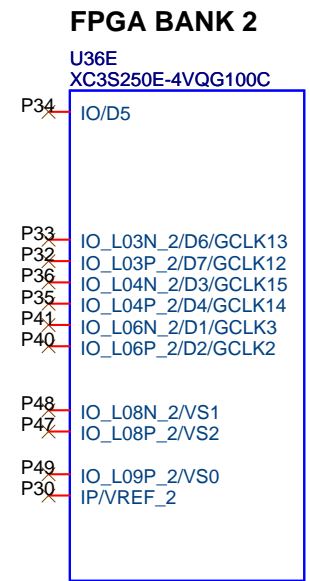
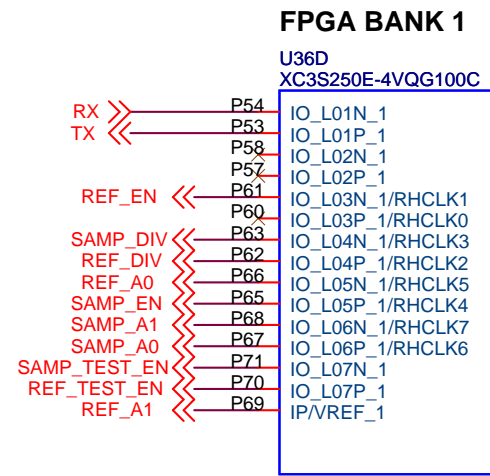
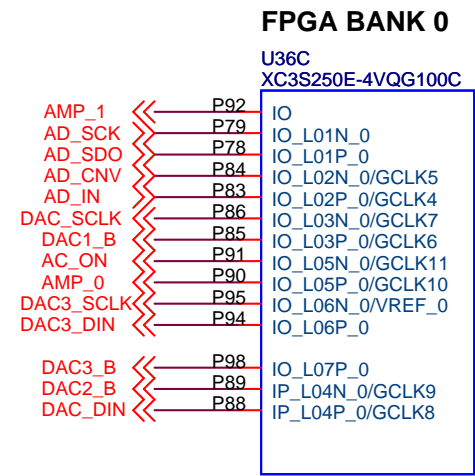
Reference Source Output



Boston University Electronics Design Facility http://edf.bu.edu/				BOSTON UNIVERSITY
Bio Compound Sensor Electronics				
Size B	Document Number <Doc>	Credits Design by W. E. Earle Drawn by Paul A. Bohn	Rev A	
Date: Monday, February 23, 2009	Sheet 1	of 4		







DIGILENT JTAG PROGRAMING CONNECTOR

