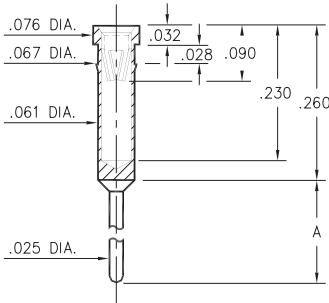


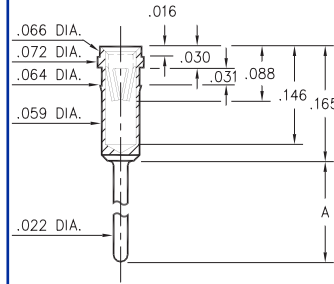
0401/6401



Basic Part Number	Length A
0401-0	.340
6401-0	.540

X401-0-15-XX-47-XX-04-0
Press-fit in .064 mounting hole

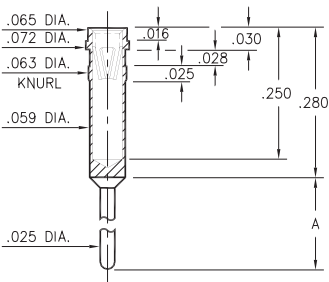
1303/8303



Basic Part Number	Length A
1303-0	.125
8303-0	.800

X303-0-15-XX-47-XX-04-0
Press-fit in .061 mounting hole

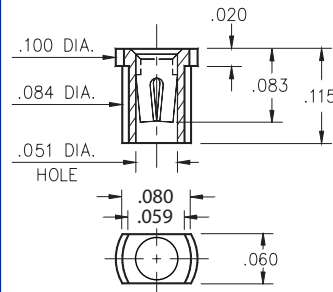
4095



Basic Part Number	Length A
4095-0	.635

409X-0-15-XX-47-XX-04-0
Press-fit in .061 mounting hole

8806



8806-0-18-XX-47-XX-40-0
Surface mount
Also available on 12mm wide carrier tape: 4,000 parts per 13" reel.
Order as: 8806-0-57-XX-47-XX-40-0

SPECIFICATIONS

SHELL MATERIAL:
Brass Alloy 360, 1/2 Hard

CONTACT MATERIAL:
Beryllium Copper Alloy 172, HT

DIMENSION IN INCHES
TOLERANCES ON:
LENGTHS: ±.005
DIAMETERS: ±.002
ANGLES: ± 2°

ORDER CODE: **XXXX - X - 15 - XX - 47 - XX - XX - 0**

BASIC PART #

SPECIFY SHELL FINISH:
01 200 μ " TIN/LEAD OVER NICKEL
80 200 μ " TIN OVER NICKEL \diamond
15 10 μ " GOLD OVER NICKEL \diamond

SPECIFY CONTACT FINISH:
01 200 μ " TIN/LEAD OVER NICKEL
80 200 μ " TIN OVER NICKEL \diamond
27 30 μ " GOLD OVER NICKEL \diamond

CONTACT

#47 CONTACT (DATA ON PAGE 211)

