



Boston University

Review of L2STT

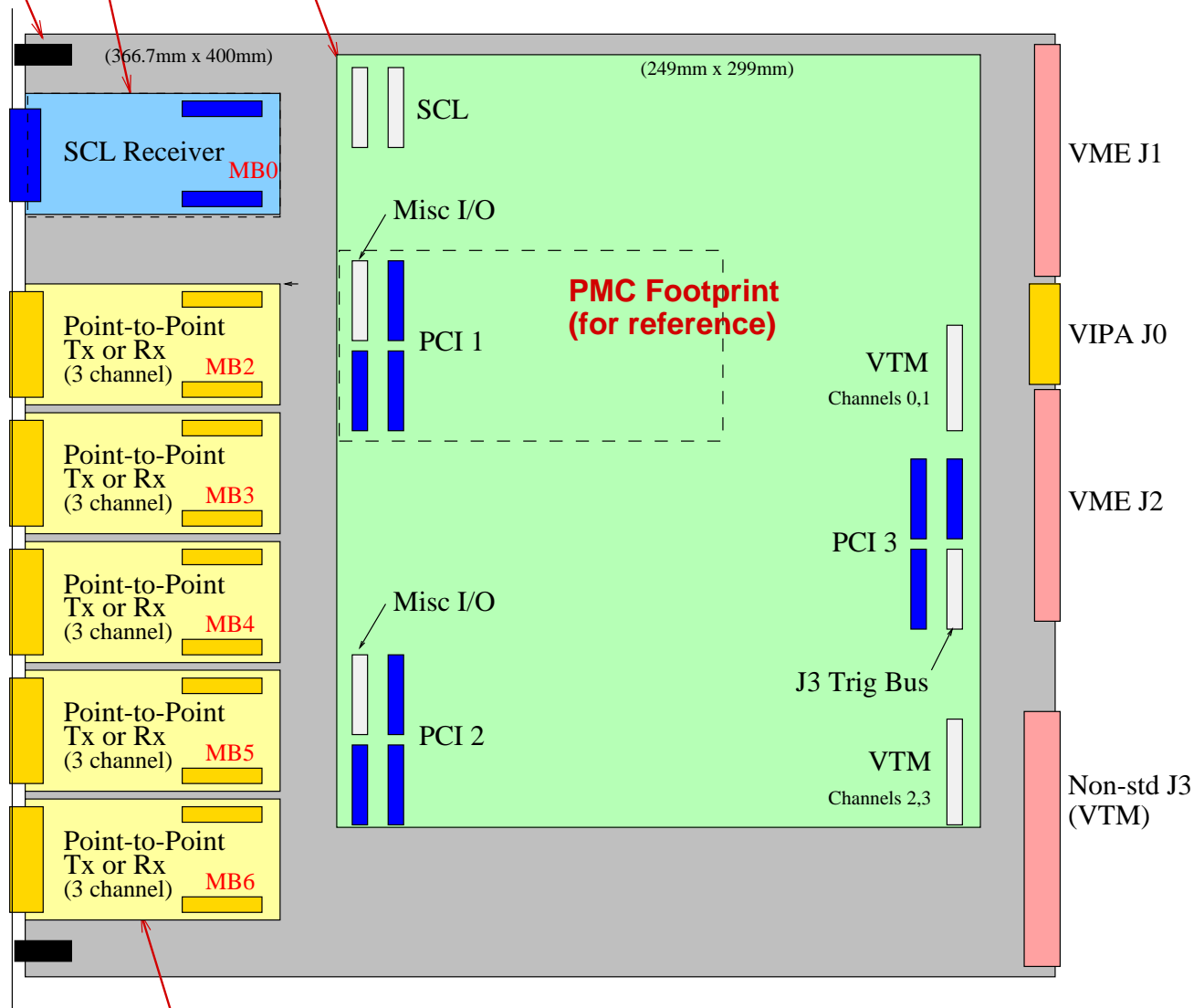
E. Hazen - 25 Feb 2000

Generic 9U VME Motherboard

9Ux400mm VME64xP (VIPA) Module

SCL Receiver Mezzanine

Logic Board (2X "Double-Extended" CMC format)



**Point-to-Point
LVDS Transmitters or Recievers
(PC-MIP standard)**