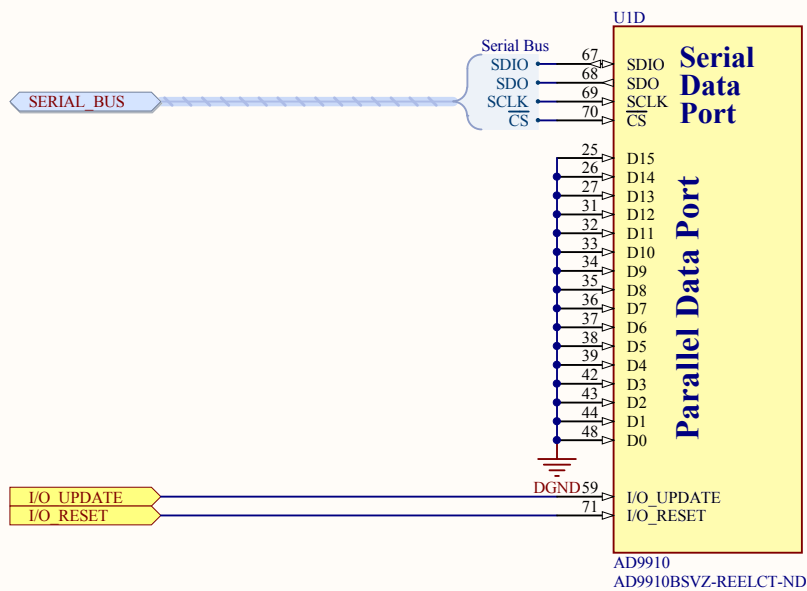
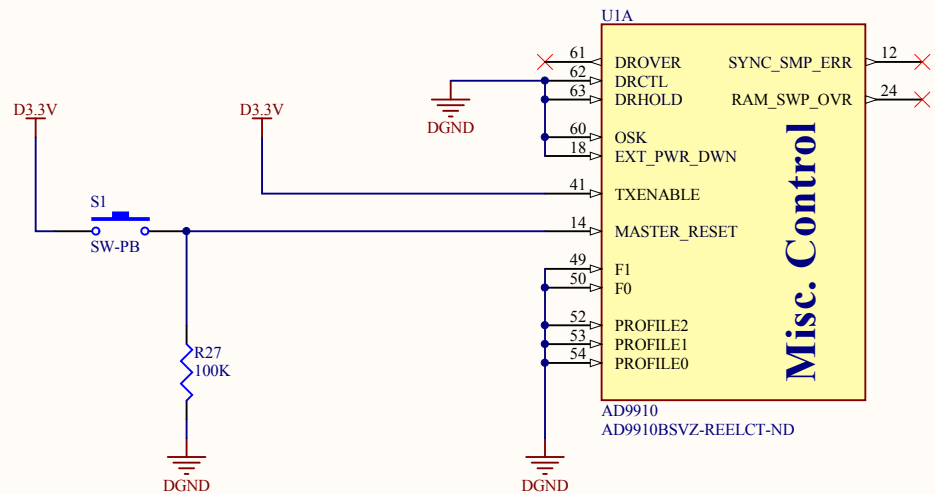


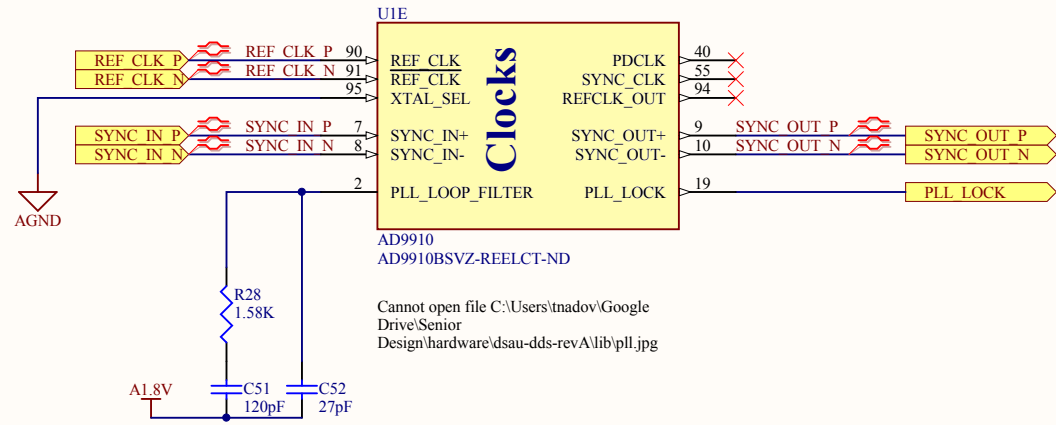
To bypass SYNC\_IN to SYNC\_OUT, install R12 and R18 but do not install R13 - R17. Otherwise install R13 - R17 and do not install R12 or R18.

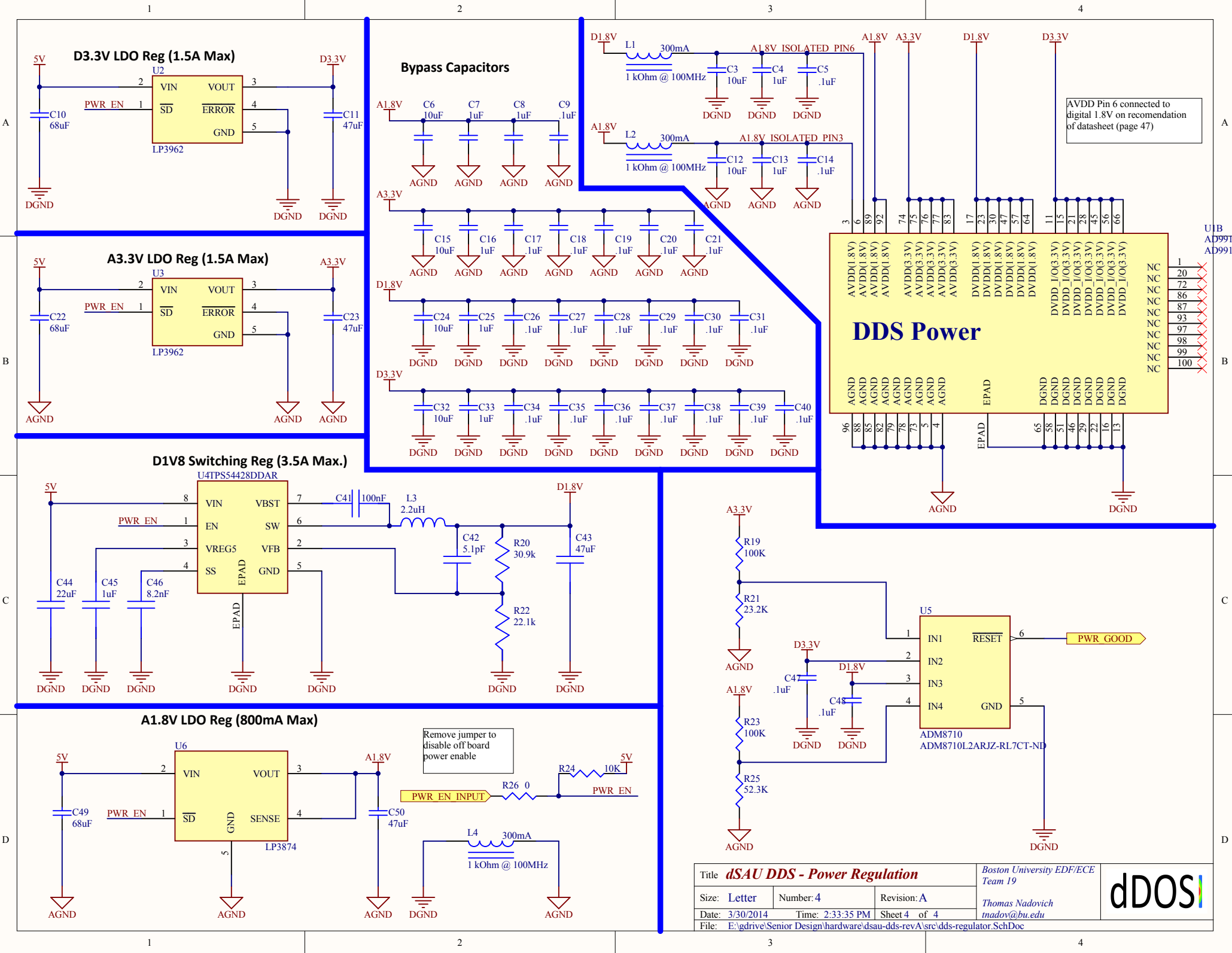
$$IOUT = (86.4/RSET) * (1 + CODE/96)$$

RSET is resistor connected to DAC\_RSET  
CODE is 8 bit value set in register

Title <b>dSAU DDS - Top Level</b>			Boston University EDF/ECE Team 19	
Size: Letter	Number: 1	Revision: A	Thomas Nadovich tnadov@bu.edu	
Date: 3/30/2014	Time: 2:33:35 PM	Sheet 1 of 4	dDOS	
File: E:\gdrive\Senior Design\hardware\dsau-dds-revA\src\dds-top.SchDoc				







AVDD Pin 6 connected to digital 1.8V on recommendation of datasheet (page 47)

